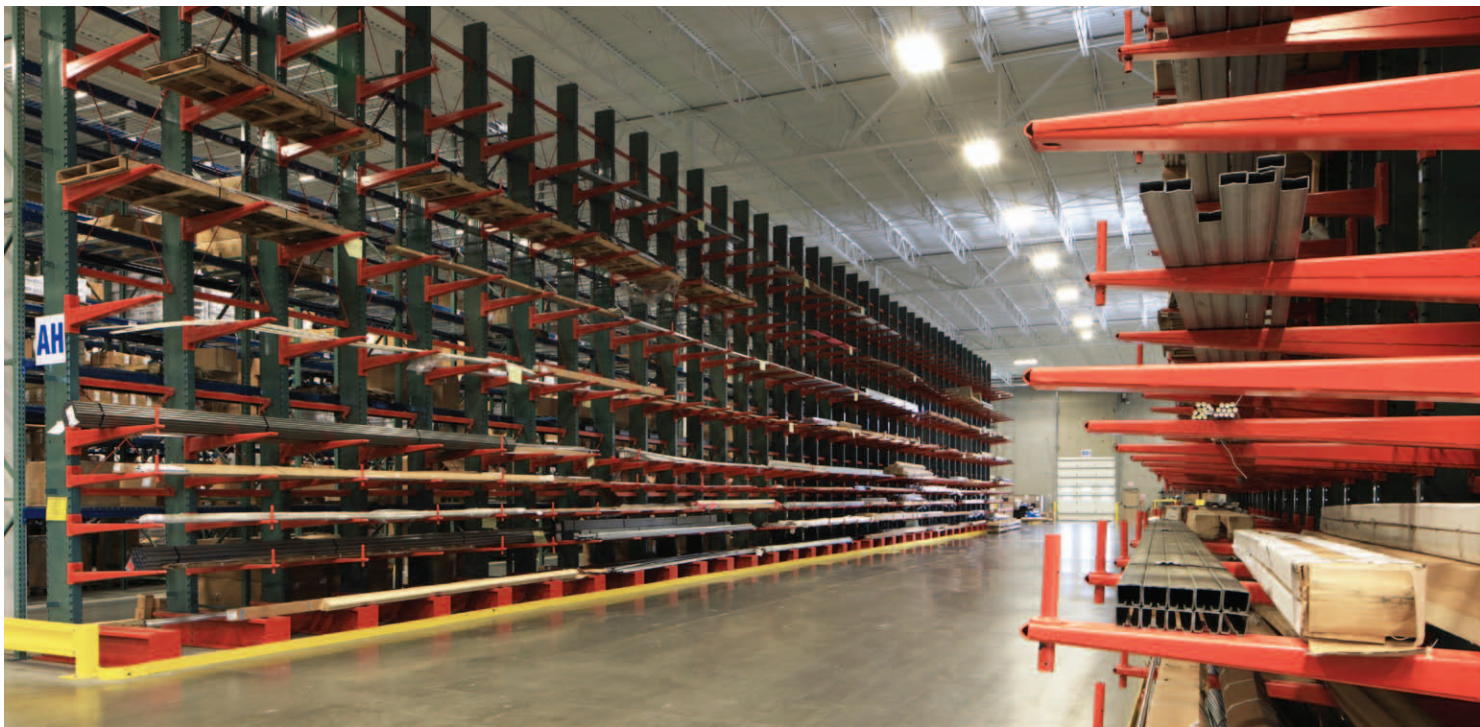




# CANTILEVER



## General Characteristics of Cantilever

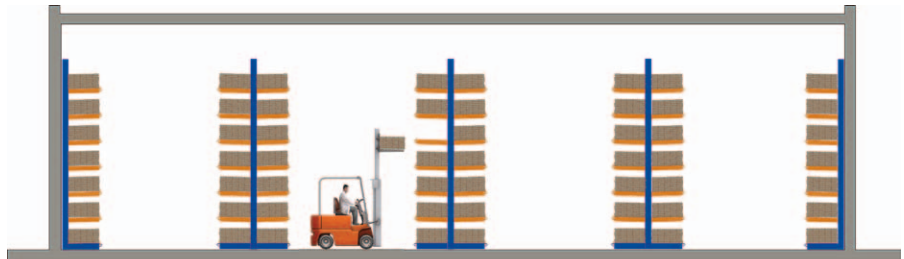
---

Cantilever rack is a medium to heavy duty storage solution for large, long or irregular shaped loads. As the name suggests, this rack features load bearing arms that are anchored to a large column at one end, leaving the picking face unimpeded by structural elements.

Interlake Mecalux offers Cantilever in both roll formed and structural solutions to fit the largest range of weight capacities and column heights.

## The advantages of Cantilever rack

In standard rack, 10% of potential storage space is lost to posts and post clearances. Because Cantilever has no front face post, and is instead supported by an extra large rear column, 100% of the front face of the rack can be used for product storage. With no structural elements impeding load placement and retrieval, there is greater flexibility in product placement, order picking is faster and easier, and the chance of rack damage is greatly reduced.

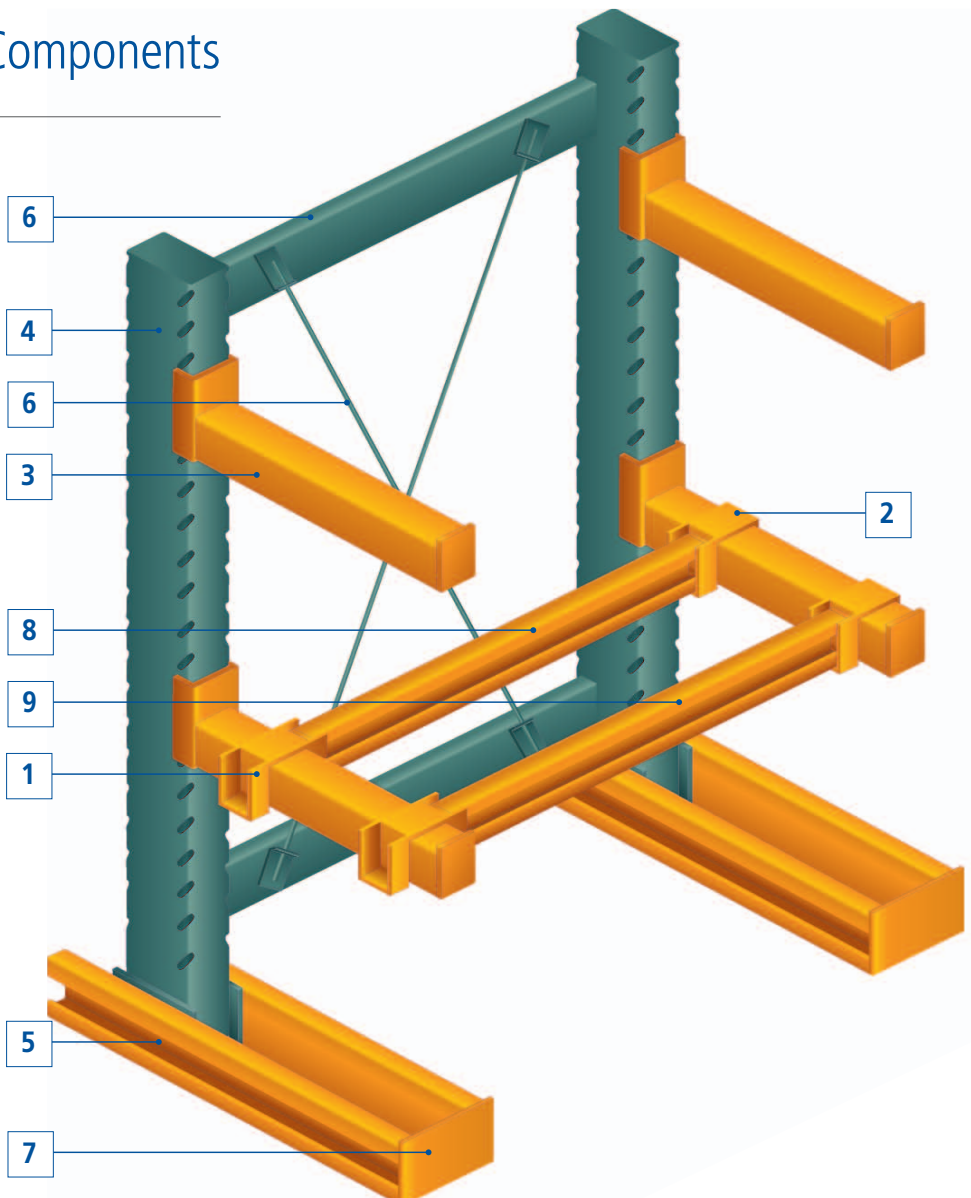


Typical combination of Single-sided and Double-sided Cantilever

## Roll Formed Cantilever Components

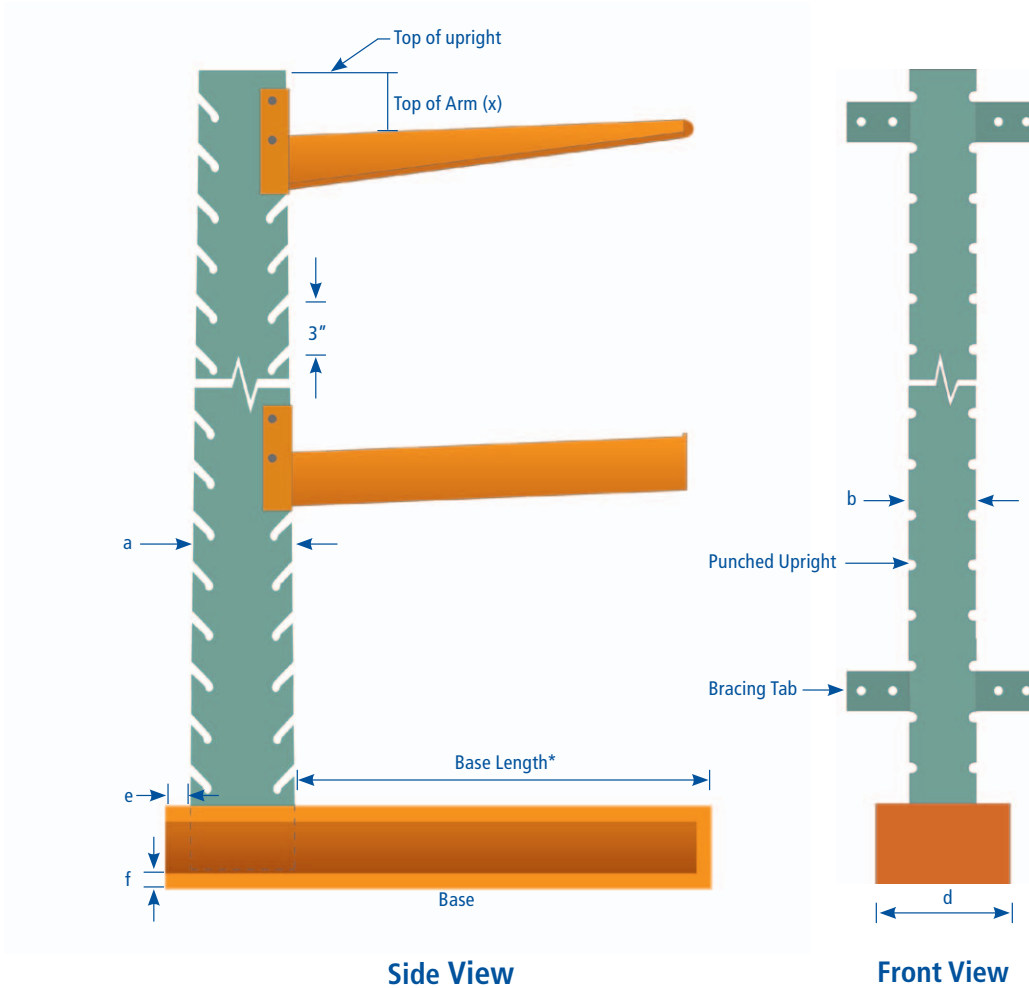
Roll Formed Cantilever includes substantial columns mounted to base channels and braced securely together, arms that accommodate a wide range of load capacities for both standard and seismic applications, and a variety of accessories to create a fully customized, safe and effective storage system.

- 1/ Double arm saddle
- 2/ Single arm saddle
- 3/ Cantilever arm
- 4/ Column
- 5/ Base channels
- 6/ Horizontal brace
- 7/ Bolted end cap assembly
- 8/ Interior deck support beam
- 9/ Fascia deck support beam
- 10/ X-brace rod



## Uprights for Roll Formed Cantilever

Roll Formed Cantilever uprights are designed to be used in either single or doubled sided aisle configurations. Available in heights up to 28 feet, the uprights are notched at 3 inch increments to provide maximum flexibility when situating the arms.



Side View

Front View

Upright Model						
	940	941	942	943	944	945
a	5-1/8"	8"	10"	13-1/8"	15-1/8"	15-1/8"
b	4"	4"	4"	4"	4"	4"
c	5"	8"	9"	11"	13"	13"
d	8-3/8"	8-3/8"	9-3/8"	10-3/8"	11-5/8"	11-5/8"
e	2-11/16"	2-11/16"	2-11/16"	2-11/16"	2-11/16"	2-11/16"
f	1-3/8"	1-1/2"	1-1/2"	2"	2"	2"

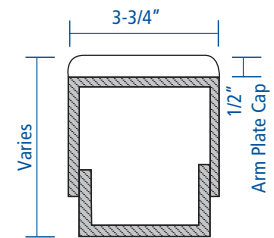
- Model 400 arm      x=3-11/16"
- Model 401 arm      x=4-15/16"
- Model 402 arm      x=4-15/16"
- Model 403 arm      x=4-15/16"
- Model 404 arm      x=6-11/16"
- Model 415 arm      x=4-15/16"
- Model 416 arm      x=4-15/16"
- Model 417 arm      x=4-15/16"
- Model 418 arm      x=6-11/16"

\*Base length = Arm Length  
Contact your Interlake Mecalux representative for more details

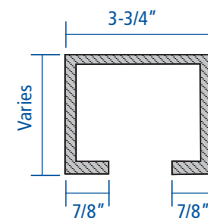


## Arms for Roll Formed Cantilever

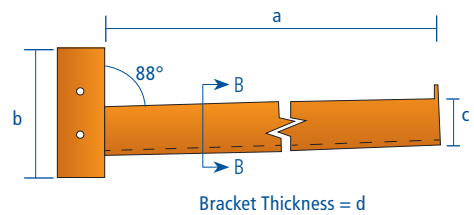
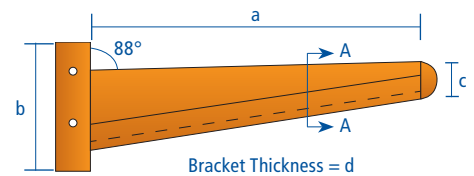
Roll Formed Cantilever arms bear the direct weight of the product load. Available in tapered and non-tapered arm models, lengths and bearing capacities vary to accommodate a full range of product types.



Arm Section A - A



Arm Section B - B



Arm Model									
	400	401	402	403	404	415	416	417	418
a	12"-42"	18"-60"	18"-60"	24"-96"	24"-96"	36"-60"	36"-72"	42"-96"	42"-96"
b	5"	8"	8"	11"	14"	8"	8"	11"	11"
c	2-1/4"	1-1/8"	1-1/8"	1-1/8"	1-1/8"	3-3/4"	3-3/4"	3-3/4"	3-3/4"
d	3/16"	3/16"	1/4"	1/4"	1/4"	3/16"	1/4"	1/4"	1/4"

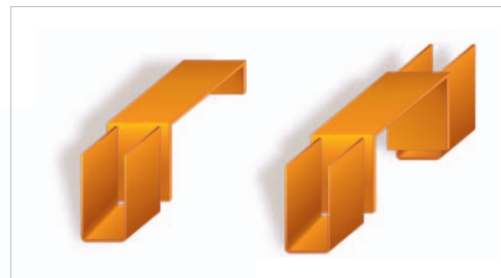
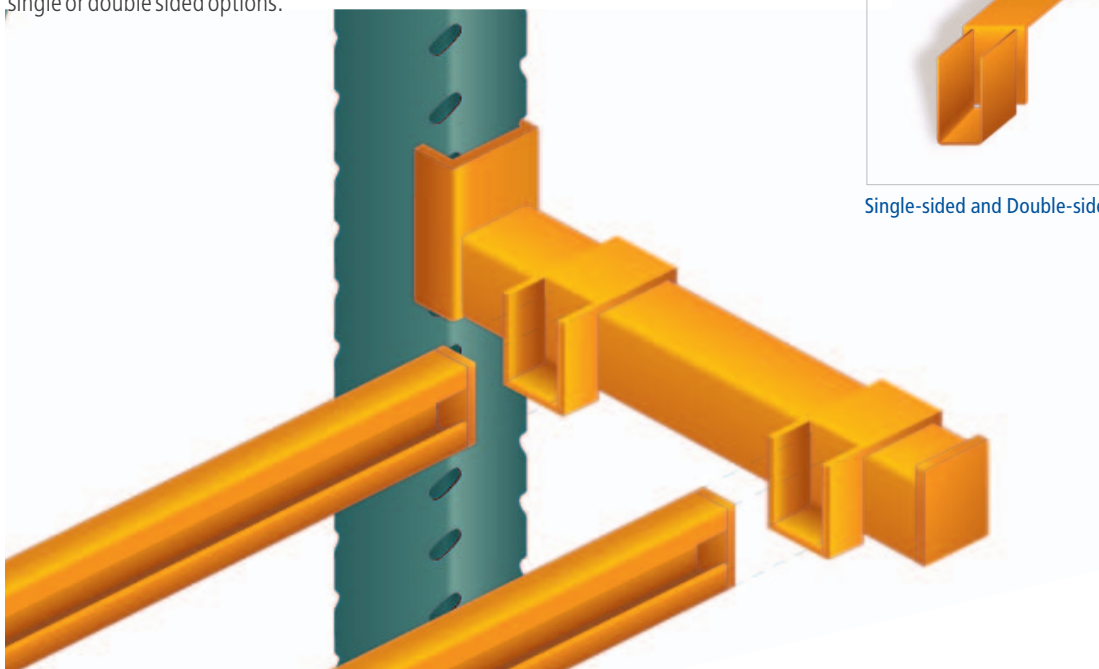
## Arm Stop Options

Roll Formed Cantilever offers two arm stop options: a weld-on cap or a pipe stop (shown right). Both are designed to ensure that the product does not roll or slide off of the arms. A range of heights are offered in both options. Contact your Interlake Mecalux representative for further information.



## Deck Support Beams and Saddles

For applications where Roll Formed Cantilever requires decking, support beam saddles are hooked over the arms to accommodate the deck support beams. Saddles are available in single or double sided options.

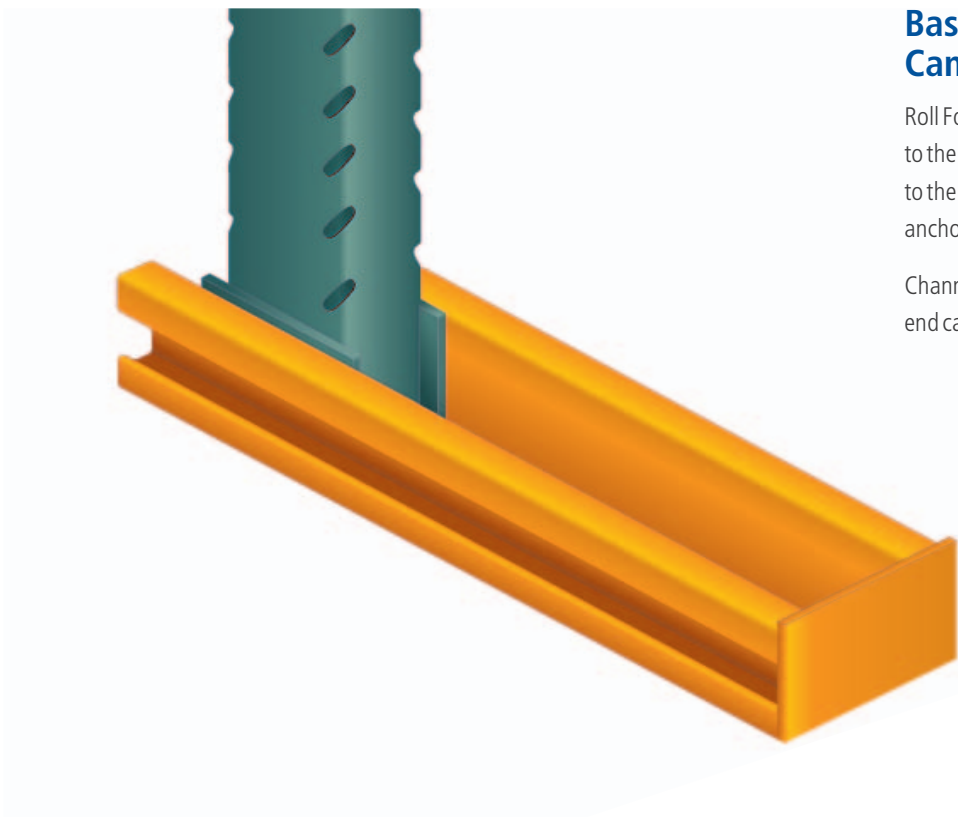


Single-sided and Double-sided Beam Saddles



## Horizontal and Diagonal Bracing for Roll Formed Cantilever

Horizontal and diagonal bracing ties the individual columns, together creating a stronger, more stable system.



## Bases for Roll Formed Cantilever

Roll Formed Cantilever columns are attached to the base by support plates that are bolted to the base channels. The base channels are anchored directly to the floor.

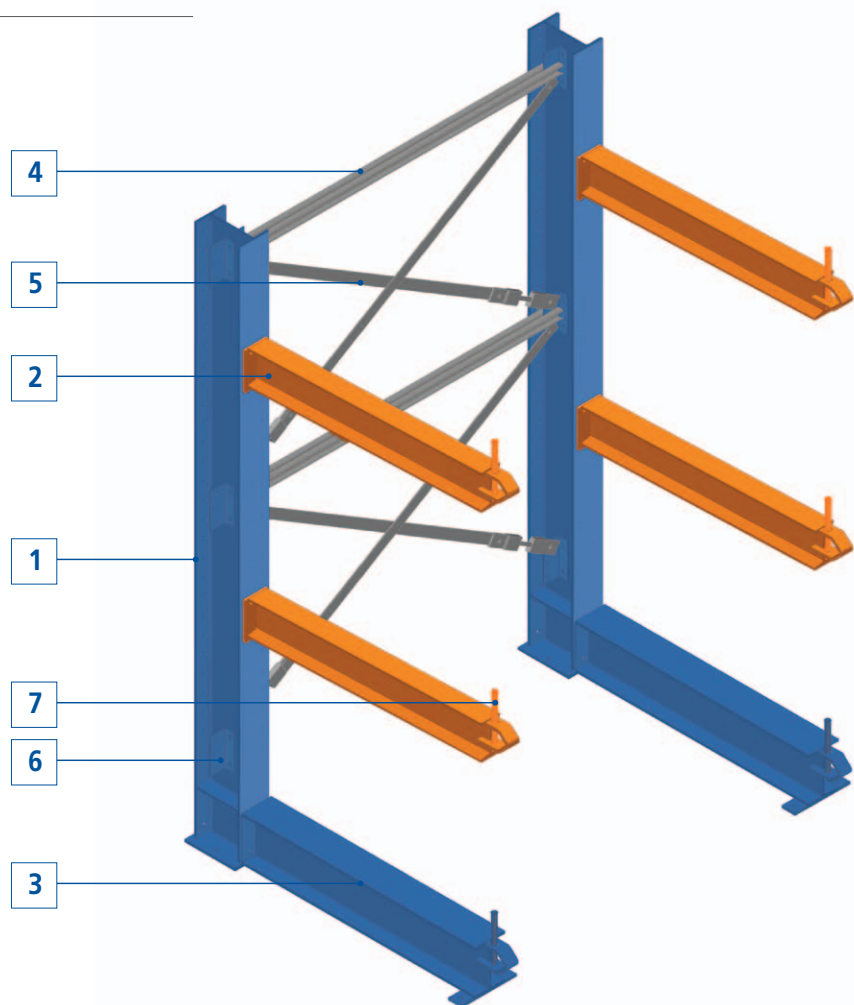
Channels are available with or without bolted end caps.



## Structural Cantilever Components

Structural Cantilever rack consists of a series of structural steel arms bolted to large structural steel columns. Anchored by substantial bases and stabilizing cross braces along its back edge, this system is both strong and highly adjustable.

- 1/ Column
- 2/ Arm
- 3/ Base
- 4/ Horizontal bracing
- 5/ Diagonal bracing
- 6/ Bolt bracing tab
- 7/ Pipe stop





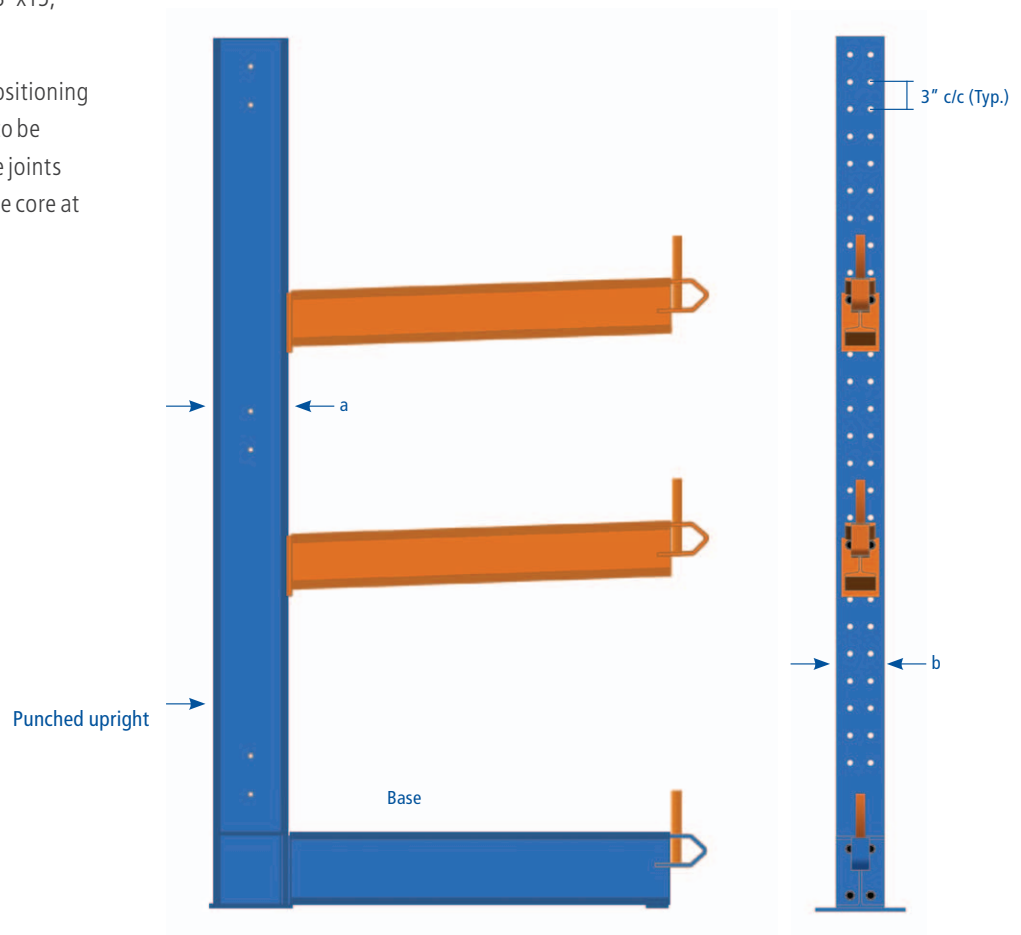


## Columns for Structural Cantilever

Structural Cantilever columns are manufactured using either medium duty steel columns (W6"x9 or W6"x12) or heavy duty steel columns (W8"x13, W8"x15, W8"x18 or W10"x19).

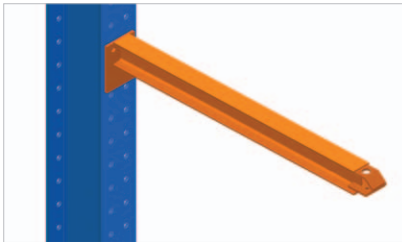
All columns are punched with positioning holes. These allow bolted arms to be placed in 3" intervals and for the joints and cross bracing to attach to the core at specific points.

Upright Model						
	W6x9	W6x12	W8x13	W8x15	W8x18	W10x19
a	5.9"	6.03"	7.99"	8.11"	8.14"	10.24"
b	3.94"	4"	4"	4.02"	5.25"	4.02"



## Arms for Structural Cantilever

Structural Cantilever arms are constructed of structural steel profiles and are bolted directly onto structural columns. Interlake Mecalux provides a wide range of profiles and lengths to fit a variety of applications. Arm profiles start at S3x5.7 and are available up to a W10x19. Available lengths range from 18 inches up to 100 inches. Please contact your Interlake Mecalux representative for a full list of options.

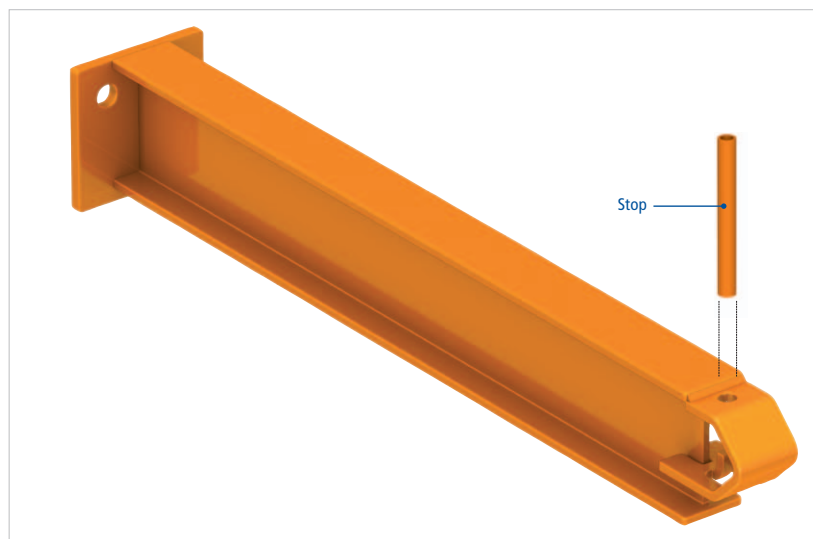


Arm profiles vary, above: S3 x 5.7



## Arm stops

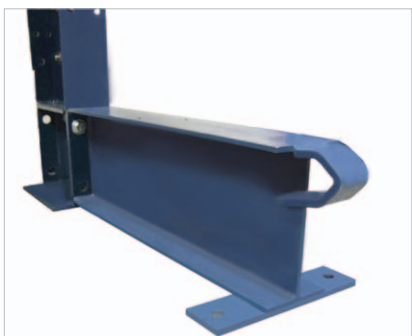
The aisle end of each arm is protected by a welded steel, bull nosed shield that safeguards the arms against aisle side impact as well as serving as an anchor for the arm stops. Structural Cantilever arm stops are 4 inch long steel tubes that slide into this shield, and are designed to prevent product from rolling off the arms.





## Cross bracing for Structural Cantilever

Cross bracing with tensioners and column joints connect columns together along the length of the system for rigidity purposes. This connection provides a solid, stable structure.



## Bases for Structural Cantilever

The base for Structural Cantilever consists of large structural beams anchored by support plates to each structural column. Both the column and base beam rest on attachment plates that are anchored directly to the floor.

## SALES OFFICES

### CHICAGO

1600 N. 25th Ave.  
Melrose Park, IL 60160  
708-344-9999

### DALLAS

1520 Selene Drive  
Carrollton, TX 75006

### SAN DIEGO

8607 Ave de la Fuente  
San Diego, CA 92154

## PRODUCTION PLANTS

### CHICAGO

1600 N. 25th Ave.  
Melrose Park, IL 60160

### MATAMOROS

Las Rusias 2700, Industrial del Norte  
CP 87470 Matamoros,  
Tamps, MX

### PONTIAC

701 Interlake Drive  
Pontiac, IL 61764

### SUMTER

1925 Corporate Way  
Sumter, SC 29154

### TIJUANA

Blvd. Bellas Artes #9001  
Ciudad Industrial  
Tijuana, Baja California,  
MX 22500



info@interlakemecalux.com | www.interlakemecalux.com

1.877.632.2589



## OFFICES WORLDWIDE

Argentina, Belgium, Brazil, Canada, Chile,  
Czech Republic, France, Germany, Italy, Mexico,  
Panama, Peru, Poland, Portugal, Spain, Turkey,  
United Kingdom, USA, Uruguay



The contents in this document refer exclusively to Interlake Mecalux products and are for informational and promotional purposes only. The information contained herein does not form the basis for warranty or guarantee. Interlake Mecalux reserves the right to modify without prior notice the data, figures, products and finishes in the catalog.